

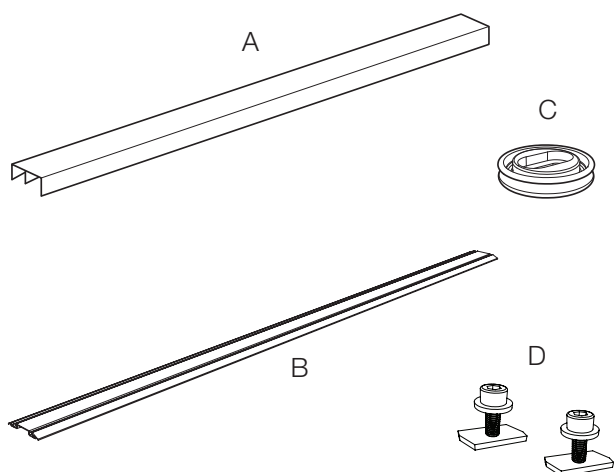
# MADE TO MEASURE SLIDING DOORS

## DOUBLE SIDED SLIDING DOORS

PLEASE READ before starting assembly. Carefully open the packs supplied and check the contents against the parts and fittings check list. Do Not dispose of the packaging until you are certain that you have all the necessary parts for the assembly. The manufacturer reserves the right to alter specifications without prior notice.

### IMPORTANT NOTES:

1. Please ensure that the packaging is disposed of in a safe environmentally friendly way.
2. There are small components used in the construction of the door frame. These loose items should be kept away from young children whilst assembling.
3. Protect the high finish of the tracks by using a suitable material on the working surface during assembly.
4. We recommend that two people carry out this assembly.
5. Make sure there are no pipes or cables where you are drilling.



### SAFE OPERATION:

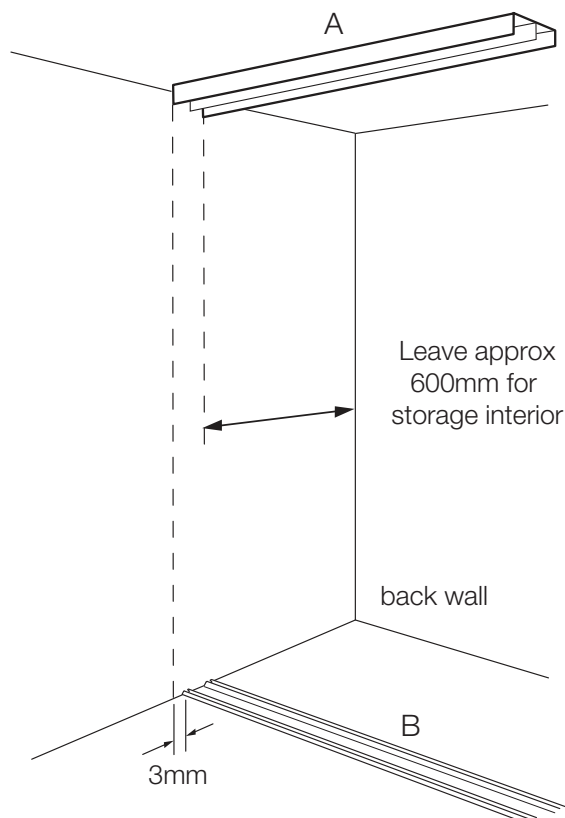
DO NOT open or close your doors with 'excessive' force, at the or near the very top & bottom of the door.

<b>A</b>	Top Track	1
<b>B</b>	Bottom Track	1
<b>C</b>	Track Fixing Button	10/20
<b>D</b>	Replacement soft close fixings	1

**TOOLS REQUIRED:** Spirit Level, Pencil, Crosshead screwdriver, Drill, 4mm Drill bit, Ruler/Tape measure, 3 & 4mm Allen key.

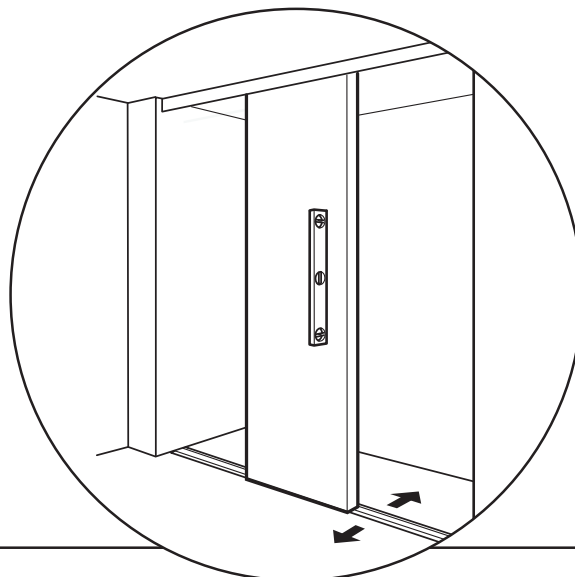
**ALSO REQUIRED:** Wall plugs and drill bits suitable for the walls and ceiling.

# 1



### IMPORTANT:

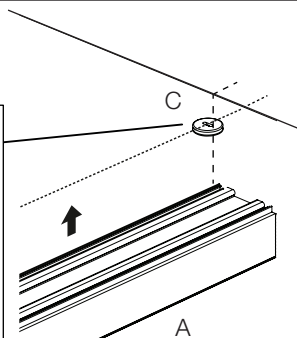
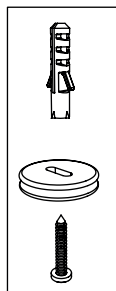
Before permanently fitting the Floor Track to your floor, fit the door into place, then using a spirit level adjust the Floor Track so the door becomes vertical.



# MADE TO MEASURE SLIDING DOORS

## DOUBLE SIDED SLIDING DOORS

### 2



Note: Wall plugs not included

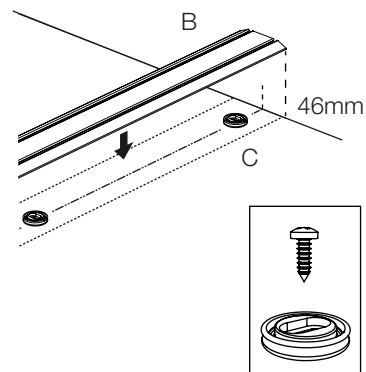
**Fitting the top track** - Place the top track against your ceiling at the position it needs to be. Mark a line **40mm** from the back of the top track.

On this line place the track fixing buttons (C) with equal spacing, leaving approx 100mm from the side walls.

**Fitting the bottom track** - After adjusting the floor track so the doors are vertical, mark the front edge of the track. Remove the track and mark a line **46mm** from the marked line.

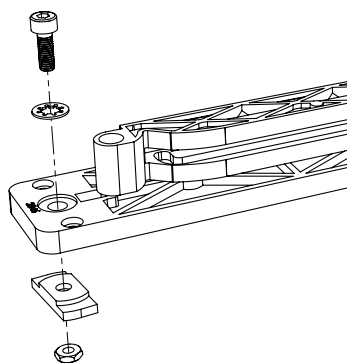
On this line place the track fixing buttons (C) with equal spacing, leaving approx 100mm from side walls.

Note: (Shorter tracksets have 10 buttons, Longer tracksets have 20).

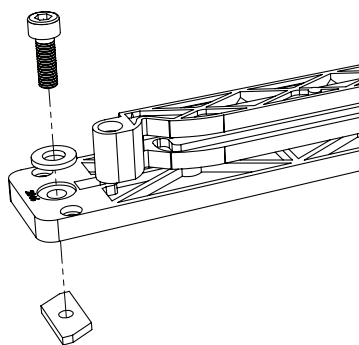


### 3

**Remove fixings fitted at both ends**



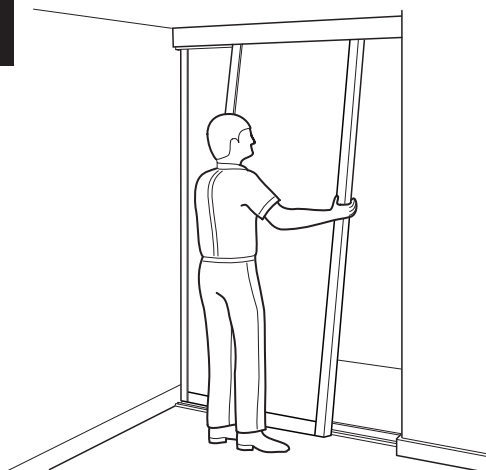
**...Replace with NEW fixings provided (D)**



**Installing soft close** - Before fitting your soft close, please replace the already attached fittings with the new ones (D) included in the pack.

**Note:** Only doors wider than 650mm will contain the soft close system.

### 4



**Installing the Doors**

Always locate the back door/s first. Angle the door and insert the top of the door into the top track. Straighten the door and lower the bottom wheels into the Floor track grooves.

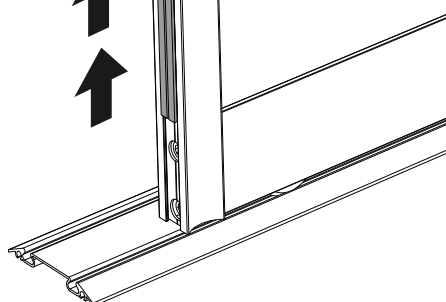
**Adjusting the Doors**

Align the doors so the end doors are plumb to the side walls.

### 5



Slide the brush seal up slightly to reveal the height adjustment bolt.



Adjust the bottom wheels using a 4mm allen key, altering the height and angle of each door.

**NOTE:** Adjust the bolt closest to the floor.

